

Brake Band Piston (B1) Assembly Tool for Mercedes Automatic Transmission 722.x



INTENDED USE

This tool is used for installing the brake band piston (B1) on the Mercedes automatic transmission 722.x and it is to be used as Mercedes OEM 201589035900.

ATTENTION

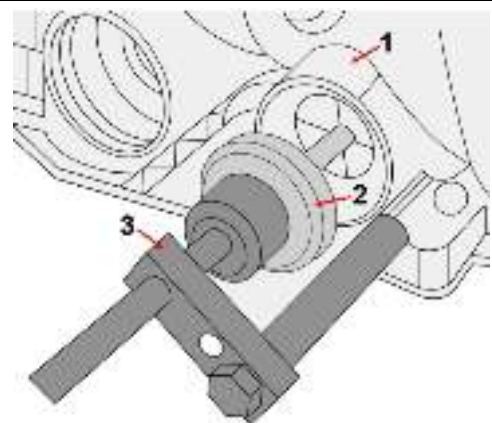
Read the operating instructions and all safety instructions contained therein carefully before using the product. Use the product correctly, with care and only according to the intended purpose. Non-compliance of the safety instructions may lead to damage, personal injury and to termination of the warranty. Keep these instructions in a safe and dry location for future reference. Enclose the operating instructions when handing over the product to third parties.

SAFETY INFORMATIONS

- Keep children and other persons away from the working area.
- Do not allow children to play with this tool or its packaging.
- Do not use the tool if parts are missing or damaged.
- Use the tool for the intended purpose only.
- Be careful when working on running engines. Loose clothing, tools and other objects can be caught by rotating parts and cause serious injury.
- Be careful when working on transmissions, the transmission oil can be very hot and cause burns!
- This manual serves as a brief guide and does not replace a workshop manual. Always refer to the vehicle-specific service literature, particularly the technical data such as torque values and instructions for disassembly/assembly, etc.

USE

- 1 Automatic transmission, 720.1, 722.0, 722.1, 722.3, 722.4, 722.5
- 2 Brake band piston (B1)
- 3 Tool, to be used as OEM 201589035900



ENVIRONMENTAL PROTECTION

Recycle unwanted materials instead of disposing of them as waste. All tools, accessories and packaging should be sorted, taken to a recycling centre and disposed of in a manner which is compatible with the environment. Contact your local solid waste authority for recycling information. Dispose of this product at the end of its working life environmentally.

