

Cable Reel, 25 m

TECHNICAL DATA

Nominal voltage: 230 volts
Ampacity (rolled up): max. 4.3 amps
Ampacity (unrolled): max. 13 amps
Power (rolled up): max. 1000 watts
Power (unrolled): max. 3000 watts
Number of sockets: 4
Degree of protection: IP 20
Protection class: 1
Cable length: 25 m
Cable cross section: 3x 1.5 mm²
Storage temperature: -30°C to 50°C
Weight w/o packaging: approx. 3.7 kg
Dimensions: width 230 mm
depth 210 mm
height 310 mm



ATTENTION

Before putting the product into operation, carefully read all safety notes and instructions and always keep the instructions in the immediate vicinity of the installation location, or on the product. Store the user manual for future reference and hand over the user manual when selling the product to third parties.

INTENDED USE

The product serves as extension cable for 230 V electric devices. The maximum permissible connecting power must not exceed a total of 3,000 W when rolled out and 1,000 W when rolled in.

SAFETY INFORMATIONS

Failure to observe the safety information and instructions may lead to electric shock, burns and severe injuries.

- Never operate the product in potentially explosive atmospheres.
- Never operate the product in aggressive atmospheres.
- Never operate or use the product with moist or wet hands.
- Never immerse the product under water.
- Never place the product on wet or flooded substrates.
- The product is not a toy. Keep away from children and animals.
- Use the product only when supervised.
- Check the product for possible damage before using each time. Do not use the product if it is damaged.
- A defective power cable must be replaced by the manufacturer, customer services or a qualified electrical dealer.
- Never use the product if damage has been caused to the electric cables or mains connection!
- Insert the mains connector exclusively into a mains socket fused and earthed correctly.

SAFETY INFORMATIONS

- Before performing maintenance, care or repair work on the product, remove the power cable from the mains socket.
- Always pull on the mains connector and never on the cable when disconnecting the mains connector from the socket.
- A defective power cable represents a serious health risk!
- Observe the storage and operating conditions.
- Never expose the product to extensive heat or direct sun radiation.
- Never remove any safety symbols, stickers or labels from the product. Keep all of the safety symbols, stickers and labels in a legible state.
- Any other operation or use other than that listed in these instructions is impermissible. Non observance renders all claims for liability and guarantees null and void.
- The product may not be used by persons with reduced physical, sensory, or mental capabilities, or lack of experience and / or knowledge.
- Do not make any unauthorised design modifications to the product.

SYMBOLS

Note: never remove any safety symbols, stickers or labels from the product.

Keep all of the safety symbols, stickers and labels in a legible state.

The following safety symbols and signs are attached to the product / packaging.

Symbol	Meaning
	The maximum connecting power when rolled in may not exceed 1,000 W
	The maximum connecting power when rolled out may not exceed 3,000 W
	Protection class I Equipped with a protective earth
	Cable length in metres

Symbol	Meaning
	Fulfils the requirements of protection class IP 20
	Is suitable for a power supply with max. 230 V
	Wire type H05VV-F for indoor use Cross-section: 3 G 1.5 mm ²
	Read the operating instructions before use

DESCRIPTION

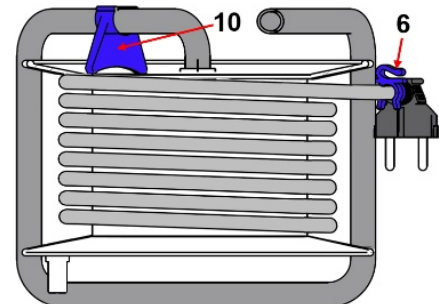
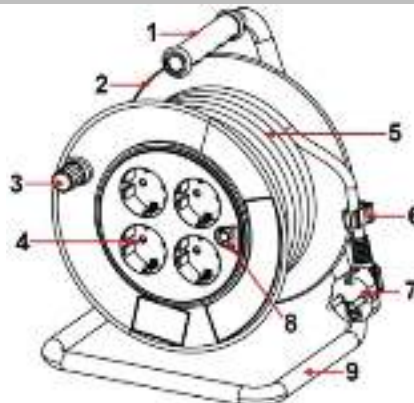
The cable reel is equipped with a 25 metre long cable.

The reel is equipped with four earthing contact sockets which fulfil the requirements of protection class IP 20.

One thermal protection switch in the reel ensures for additional safety.

ILLUSTRATION

- 1 Carry handle
- 2 Cable reel
- 3 Crank
- 4 Earthing contact sockets
- 5 Cable
- 6 Cable holder
- 7 Earthing contact plug
- 8 Thermal protection switch
- 9 Foot
- 10 Brake for cable reel



USE

Connecting the cable reel

1. Unroll the cable to the desired length in order to operate consumers with a total output up to 1,000 W.
2. Completely unroll the cable in order to operate consumers with a total output of more than 1,000 W up to 3,000 W.
3. Avoid tripping points when routing the cable.
4. Insert the mains plug of the cable reel into a mains socket fused and earthed correctly.
5. Check if the consumer is switched off and insert the mains plug of the consumer into the earthing contact socket of the cable reel.

Thermal protection switch

The cable reel is equipped with a thermal protection switch which interrupts the power circuit in event of overheating. The thermal protection switch can be tripped if the cable reel has not been completely unrolled or the maximum rated power of the consumer is too high.

If the thermal protection switch has been activated, proceed as follows:

1. Disconnect the earthing contact plug (7) of the product from the earthing contact socket.
2. Disconnect the consumer from the earthing contact socket (4) of the product.
3. Unroll the cable over its entire length.
4. Allow the cable to cool down.
5. Press in the thermal protection switch (8).
6. The product can be used again once the cable has cooled down.

Faults / malfunctions

If a malfunction should occur, please check the following points:

- Check the cable for damage.
- Has the mains plug been plugged into a correctly safeguarded and earthed socket?
- Has the thermal protection switch been activated?
Deactivate the thermal protection switch as described above.

TRANSPORT

If you transport the product incorrectly, the product may be damaged.

Observe the following information for transporting the product:

- Completely roll up the cable.
- Fix the plug into cable holder (6).
- Make sure that the brake system of the reel prevents the cable from unrolling unintentionally.

STORAGE

If you store the product incorrectly, the product may be damaged.

If the product is not used, observe the following storage conditions:

- Store the product dry and protected against frost and heat.
- Store the product in an area protected against dust and direct sun radiation.
- If necessary, store the product in a cover, which protects against the ingress of dust.
- The storage temperature corresponds with the range specified in the chapter "TECHNICAL DATA".

CLEANING

- Warning of electric voltage. Pull the mains plug from the mains socket by holding on the mains plug.
- Clean the product using a moist, soft and lint-free cloth. Make sure that no moisture enters the housing.
- Make sure that no moisture makes contact with electric components.
- Do not use aggressive cleaning agents such as cleaning sprays, solvent, cleaning agent containing alcohol or scouring agent for moistening the cloth.
- After cleaning, wipe the housing dry.

ENVIRONMENTAL PROTECTION

Recycle unwanted materials instead of disposing of them as waste. All tools, accessories and packaging should be sorted, taken to a recycling centre and disposed of in a manner which is compatible with the environment.



DISPOSAL

Dispose of this product at the end of its working life in compliance with the EU Directive on Waste Electrical and Electronic Equipment. Contact your local solid waste authority for recycling information or give the product for disposal to BGS technic KG or to an electrical appliance retailer.





**EU-KONFORMITÄTSERKLÄRUNG
EC DECLARATION OF CONFORMITY
DÉCLARATION „CE“ DE CONFORMITE
DECLARATION DE CONFORMIDAD UE**

Wir erklären in alleiniger Verantwortung, dass die Bauart des Produktes:
We declare that the following designated product:
Nous déclarons sous propre responsabilité que ce produit:
Declaramos bajo nuestra sola responsabilidad que este producto:

Kabeltrommel | 25 m | 1,5 mm² (BGS Art.: 3361)

Cable Reel

Touret de Câble

Bombina de Cable

folgenden einschlägigen Bestimmungen entspricht:
complies with the requirements of the:
est en conformité avec les réglementations ci-dessous:
esta conforme a las normas:

Low Voltage Directive 2014/35/EU

Angewandte Normen:

Identification of regulations/standards:

Norme appliquée:

Normas aplicadas:

EN 61242:1997+A1:2008+A2:2016+A13:2017

IEC 60884-1:2002+A1:2006+A2:2013

SS 4280834:2013

Certificate No.: 181000051SHA-V1 / HJR-4A

Test Report: 181000051SHA-001 - 181000051SHA-002

Wermelskirchen, den 07.08.2020

ppa.

Frank Schottke, Prokurist

BGS technic KG, Bandwinkerstrasse 3, D-42929 Wermelskirchen